



fluid under control



**PNEUMATIC ACTUATED
GLOBE VALVES
TORK LV 3000 SERIES**

A technical line drawing of a valve assembly, centered on a blue background with yellow curved borders at the top and bottom. The drawing shows a central valve body with two hexagonal ports, connected to a larger rectangular base with two hexagonal ports on top. The entire assembly is mounted on a base with four vertical supports. The drawing is rendered in white lines on a blue background.

TORK LV 3000 SERIES

SO RELIABLE YOU COULD FORGET WHERE,
WHEN, HOW IT WORKS.



TORK LV 3000 SERIES

A NEW CONTROL VALVE DESIGNED
FOR LONG TERM RELIABILITY



TORK LV 3000 SERIES

DIFFERENT SOLUTIONS FOR DIFFERENT
NEEDS

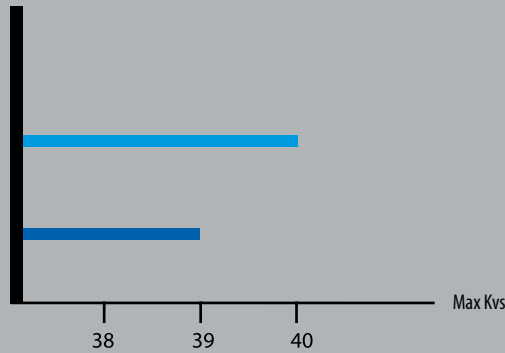


TORK LV 3000 SERIES

Start saving from the first day on.

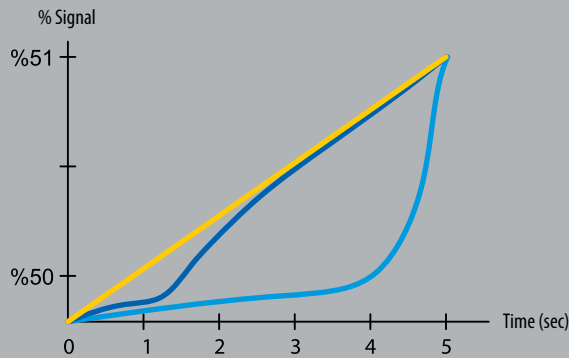
Smaller valve size for a given application

- > Highest possible seat diameter (DN = Seat Ø)
- > High throttling rangeability
- > Longest possible stroke



Better step Response

- > Agile actuator
- > Precise positioning accuracy
- > Very low friction



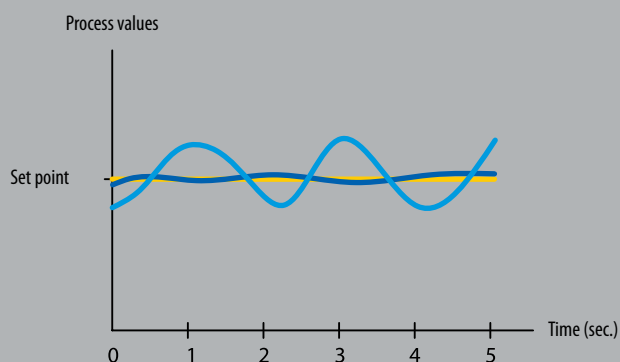
Signal

TORK

Others

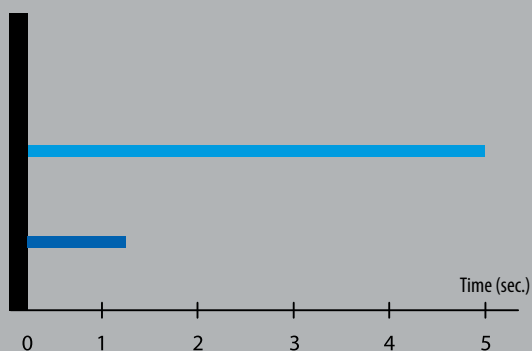
Better control quality

- > Excellent plug geometry
- > Widest controllable range
- > High technology positioner
- > Fast response



Faster Set Up

- > User friendly
- > No special tool needed
- > Auto tune, fieldbus functionality
- > Self diagnostic function
- > Supply air pressure up to 6 bar for feet movement.



Components

Actuator

- Reliable, powerful actuator system for accurate valve positioning.
- High actuation force generated by maximum 6 bar air.
- Compact dimensions due to multi spring.
- Fast, agile response due to minimized air volume.
- High ambient temperature (85 °C).
- Guided movement of stem for high stability.
- Membrane with kevlar fabric reinforcement for long life, high accuracy, linearity,
- Virtually maintenance free design
- Optional manual hand wheel system

Yoke

- Extremely robust yoke
- Construction for reliability.

Bonnets

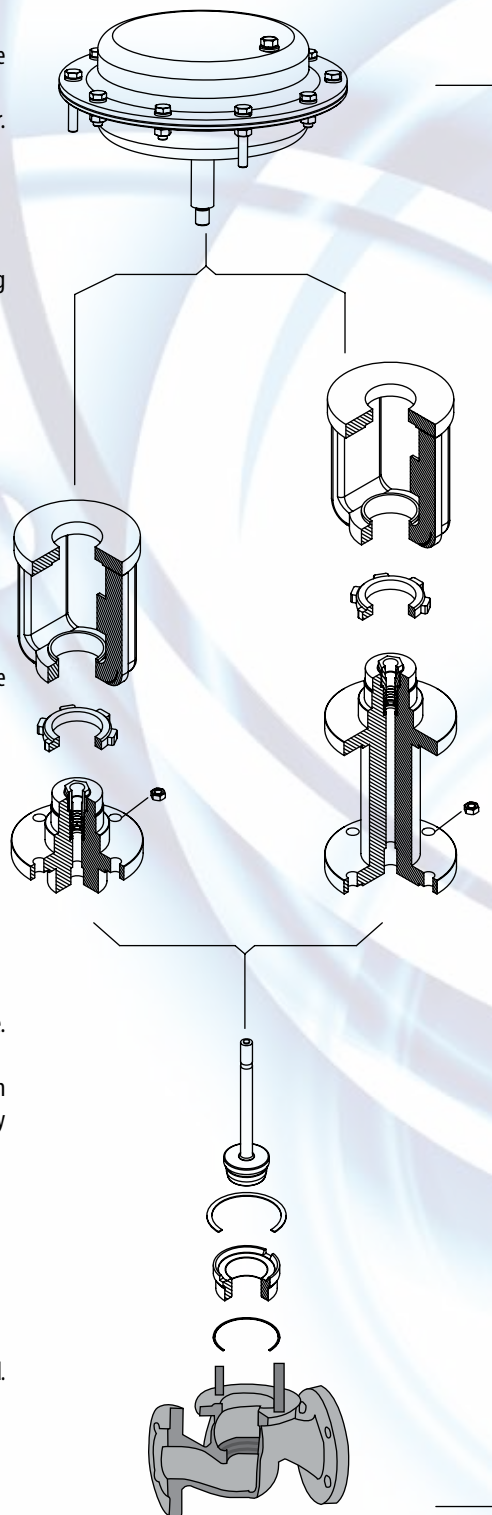
- Quality and Durability for the long run.
- Sturdy dual guided plug stem structure (thanks to the secondary guide) ensuring vibration free operation
- Maintenance free packing box with spring loading.
- Choice of bonnets for standard or high temperature
- Pressure up to 40 bar, Temperature up to 350 °C.
- Low friction.

Trim

- Multi application versatility.
- Mostly interchangeable trims
- All bellows types use the same/similar plug stem type.
- Easily replaceable trim.
- Simple maintenance as the valve body remains in the piping when trim is replaced, screwed seal easily replaceable.
- Large flow capacity. (max. seat Ø = DN)

Body

- Optimum flow characteristics due to smoothly engineered.
- Large kvs values
- Excellent flow dynamics and built in control quality.



Wide Range of Applications

- For accurate control of gas, vapour, liquid, pressure, flow and temperature
- Combined with the TORK Positioner TORK Valve offers precise control characteristic. Optional TORK positioners with HART, PROFIBUS, FOUNDATION, FIELDBUS communication protocols ensures trouble free integration so DCS / PLC / SCADA systems
- Having a modular design TORK valve offers various application possibilities.

Inherent Advantages

- Space efficient overall height and dimensions.

Prompt Delivery

- Almost all sizes of TORK Control Valves can be delivered within 48-72 hours..

Reliable

- Heavy duty construction with high quality materials and workmanship.

Quality

- Quality assurance system of production certificated acc. TÜV Management Service ISO 9001:2000

Coding System

SIZE	ACT. DIAM.	PN25 (GGG50 DUCTILE IRON)	PN40 (GS-C25 CARBON STEEL)	PN40 (1.4581 STAINLESS STEEL)
DN15	300	TORK-LV3000.S 015	TORK-LV3000.K 015	TORK-LV3000.P 015
DN20	300	TORK-LV3000.S 020	TORK-LV3000.K 020	TORK-LV3000.P 020
DN25	300	TORK-LV3000.S 025	TORK-LV3000.K 025	TORK-LV3000.P 025
DN32	300	TORK-LV3000.S 032	TORK-LV3000.K 032	TORK-LV3000.P 032
DN40	300	TORK-LV3000.S 040	TORK-LV3000.K 040	TORK-LV3000.P 040
DN50	450	TORK-LV3000.S 050	TORK-LV3000.K 050	TORK-LV3000.P 050
DN65	450	TORK-LV3000.S 065	TORK-LV3000.K 065	TORK-LV3000.P 065
DN80	700	TORK-LV3000.S 080	TORK-LV3000.K 080	TORK-LV3000.P 080
DN100	700	TORK-LV3000.S 100	TORK-LV3000.K 100	TORK-LV3000.P 100
DN150	700	TORK-LV3000.S 150	TORK-LV3000.K 150	TORK-LV3000.P 150

Coding Form

LV: LINEAR VALVE		
SF: DUCTILE IRON	KC: CARBON STEEL	PS: STAINLESS STEEL
PA: PNEUMATIC ACTUATOR		
300, 450, 700: ACTUATOR DIAMETER		
OK: PROPORTIONAL CONTROL		
015.. 150: VALVE SIZE		

Packing Box

Type of Packing	Standard Bonnet	Belows Metal Bonnet
PTFE V-Rings + Grafite -10 °C +240 °C, maintenance free spring loaded	•	•
Pure Grafite-Rings -10 °C +350 °C.		•

Form of Connection, Nominal Pressure Range

Form of Connection			Nominal Size DN											
Connection Face type acc. to DIN2526	Form C	•	PN	15	20	25	32	40	50	65	80	100	150	
	Form D,R,N	•		16	•	•	•	•	•	•	•	•	•	•
			40							•	•	•	•	

Pressure - temperature Ratings acc. to DIN 2401

PN (bar)	Body Material	Working Temperature in °C	Working Pressure in bar										
			-200	-85	-60	-10	0	120	200	250	300	350	
16	GG-25					16	16	15	13	12	10		
25	GGG50					25	25	24	21.5	19	16.5	15	
40	GS-C25					40	40	40	35	32	28	24	
	SS316					40	40	35.5	30.5	29	26	24	

Leakage - Class

acc. DIN/IEC 534 Teil 4 resp. ANSI/FCI 70-2 - 1991

Line Pressure Balancing	Plug Design	Leakage-class acc. DIN/IEC 534	Test Fluid	Test Pressure (bar)	Max. Seat Leakage % kvs
Unbalanced	Metal to metal sealing	IV	Water	Working Pressure, max. 4	0.01
	Soft Sealing	VI	Air	Working Pressure, max. 4	0.0 - bubble-tight

Contoured Plug Modified - equal percentage or linear

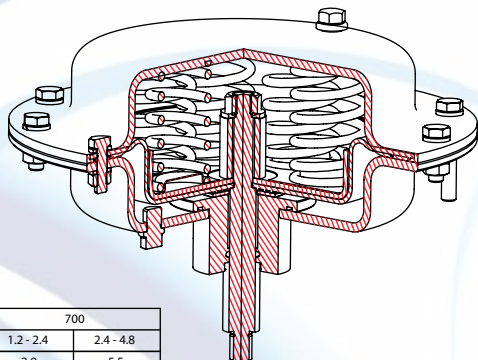
¹ Only a modified-equal percentage I

Kvs (m ³ /h)	Seat Ø	Standard	Valve Nominal Diameter											
			15	20	25	32	40	50	65	80	100	150		
			Stroke = 20 mm						40 mm			60 mm		
0.16	4 ¹		•	•	•									
0.25	4 ¹		•	•	•									
0.40	4 ¹		•	•	•									
0.63	6 ¹	•	•	•	•									
1	7 ¹	•	•	•	•									
1.6	8 ¹	•	•	•	•									
2.5	10 ¹	•	•	•	•									
4.0	12	•	•	•	•									
5.6	16	•	•											
6.3	16	•		•	•									
8	20	•		•										
10	20	•			•	•								
14	25	•			•									
16	25	•				•	•	•						
22.4	34	•					•							
25	34	•						•	•					
31.5	40	•						•						
40	42	•							•					
47.5	50	•							•					
63	53	•								•	•			
80	67	•								•				
100	67	•									•	•		
125	80	•									•			
160	84	•										•	•	
180	100	•										•	•	
250	105	•											•	
355	130	•											•	

Multi-Spring Actuator TORK LV 3000 (Spring to close)

Typical ranges for Series100 Valve

Effective area (cm ²)	Air supply (bar)	Spring Range (bar)
200	2.9	1.2 - 2.4
	5.5	2.4 - 4.8
300	2.9	1.2 - 2.4
	5.5	2.4 - 4.8
450	2.9	1.2 - 2.4
	5.5	2.4 - 4.8
700	2.9	1.2 - 2.4
	5.5	2.4 - 4.8



Actuator Selection for:

Operation: Spring extracted stem, air retracted (Spring to close)
 Flow: Tends to open valve without pressure balancing , P=0
 Packing Box: PTFE with Graphite
 Bonnet: Standart Bonnet

Sitz Ø	DN	Effective Area (cm ²)	Maximum Pressure Difference For Actuator Selection (Bar)							
			200		300		450		700	
		Spring Range (bar)	1.2 - 2.4	2.4 - 4.8	1.2 - 2.4	2.4 - 4.8	1.2 - 2.4	2.4 - 4.8	1.2 - 2.4	2.4 - 4.8
		Air (bar)	2.9	5.5	2.9	5.5	2.9	5.5	2.9	5.5
6	15, 20, 25	Stroke 20mm	40	40	40	40				
8			40	40	40	40				
10			40	40	40	40				
12			40	40	40	40				
16			40	40	40	40				
20			38	40	40	40				
25			23	36	40	40				
34			11	18	31	40				
40			7.0	12	22	32				
42			6.0	11	20	29				
50	3.7	0.7	13	20						
42	65	Stroke 40mm					40	40	40	40
53							27	38	40	40
67							16	23	25	35
80							11	16	17	24
84							10	14	15	22
100							7.0	10	11	15
130	150	Stroke 60mm								

Multi-Spring Actuator TORK LV 3000 (Spring to open)

Typical ranges for Series100 Valve

Effective Area (cm ²)	Supply Air (bar)	Spring Range (bar)
200	3.5	0.5 - 1.9
	5.5	0.5 - 1.9
300	3.5	0.2 - 1.0
	5.5	0.2 - 1.0
450	3.5	0.2 - 1.0
	5.5	0.2 - 1.0
700	3.5	0.2 - 1.0
	5.5	0.2 - 1.0

Actuator Selection:

Operation: Spring extracted stem, air retracted (Spring to close)
 Flow: Tends to open valve without pressure balancing , P=0
 Packing Box: PTFE with Graphite
 Bonnet: Standart Bonnet

Sitz Ø	DN	Effective Area (cm ²)	Maximum Pressure Difference For Actuator Selection (Bar)							
			200		300		450		700	
		Spring Range (bar)	0.5 - 1.9	0.5 - 1.9	0.2 - 1.0	0.2 - 1.0	0.2 - 1.0	0.2 - 1.0	0.2 - 1.0	0.2 - 1.0
		Air (bar)	3.5	5.5	3.5	5.5	3.5	5.5	3.5	5.5
6	15, 20, 25	Stroke 20mm	40	40	40	40				
8			40	40	40	40				
10			40	40	40	40				
12			40	40	40	40				
16			40	40	40	40				
20			40	40	40	40				
25			26	40	40	40				
34			12	33	40	40				
40			8.0	23	40	40				
42			7.0	21	38	40				
50	4.3	14	26	40						
42	65	Stroke 40mm					40	40	40	40
53							40	40	40	40
67							30	40	40	40
80							21	36	31	40
84							19	32	28	37
100							13	22	19	26
130	150	Stroke 60mm								

Positioners

General Features

- Easy calibration for optimum conditions
- Precise control performance and high dynamic response
- Easy operation with fork-key pads and full text graphical LCD
- Single and double acting
- Low air consumption due to piezo electric microvalve on SSL
- Problem-free characteristics on a small actuator
- High resistance against shock and vibration
- Mounting on linear actuators according to IEC 534

TORK- SSL Series Smart Linear Positioner

Input Signal	: 4-20 mA DC
Input Resistance	: 235 Ω
Max. Air Pressure	: 7 bar
Protection Class	: Ex dmb IIB+H2T6 / Ex dmb IIC T6/T5 Ex ia - IIC T6 / IP66
Temperature Value	: -20 °C, + 70 °C
Body Material	: Aluminium casting
Pressure Indicator Material	: Stainless
Weight	: 3.3 kg



TORK-SSL

TORK- EPL Series Electro Pneumatic Linear Positioner

Input Signal	: 4-20 mA DC
Input Resistance	: 235 Ω
Max. Air Pressure	: 7 bar
Protection Class	: Ex md IIB T6, Ex md IIC (H ₂) T6, IP66, Ex ia IIB T6, Eex md IIB T5 for ATEX
Temperature Value	: -20 °C, + 70 °C
Body Material	: Aluminium casting
Pressure Indicator Material	: Stainless
Weight	: 3.3 kg



TORK-EPL

TORK- PPL Series Pneumatic-Pneumatic Linear Positioner

Input Signal	: 0.2 - 1 bar (3 - 15 psi)
Max. Air Pressure	: 7 bar
Temperature Value	: -20 °C, + 70 °C
Body Material	: Aluminium casting
Pressure Indicator Material	: Stainless
Weight	: 2.1 kg



TORK-PPL

T-1000 Series I/P Converters

Input Signal	: 4-20 mA
Output Signal	: 3 - 15 psi
Max. Air Pressure	: 7 bar
Sensitivity	: < 1.0%
Weight	: 0,75 kg



T-1000

TORK- FR 10 Filter and Regulators

Connection Size	: 1/4" BSP or 1/4" NPT
Output Scale	: 0 ... 8 bar (120 psi)
Max. Working Pressure	: 15 bar (255 psi)
Fluid Ambient Temperature	: Max. 70 °C der... (no freezing)
Manometer	: 1/8" BSP (stainless steel)
Filter Diameter	: 5 micron
Regulator Body	: Aluminium injection
Weight (kg)	: 0.4 kg (with manometer)



TORK-FR10

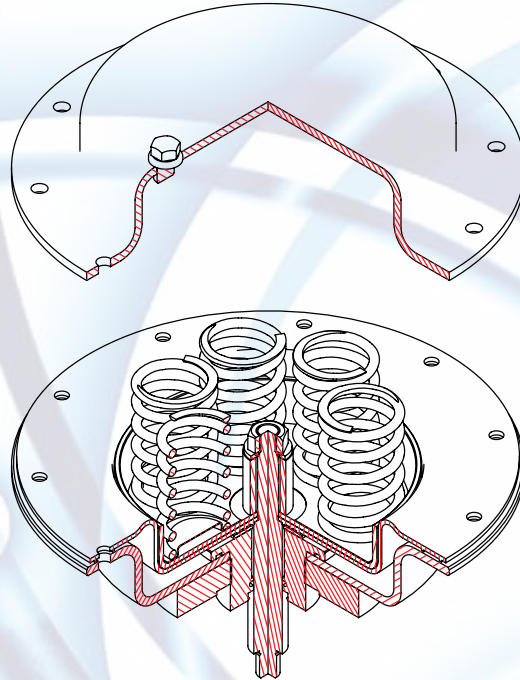
S1015 Series Solenoid Valve (For On-Off Control)

Application	: TORK - LV SERIES, Linear valves for on-off control.
Size	: 1/8" 1/4" BSP (on request NPT)
Pressure	: 0 bar 8 bar
Tube Core	: Stainless Steel
Body	: Brass
Diaphragm	: NBR, on request EPDM or Viton)
Temperature	: -10 °C 80 °C
Position	: Normally Closed
Coil Voltage	: 1230 V, 110 V, 48 V, 24 V, 12 V AC / 110 V, 48 V, 24 V, 12 V DC
Protection Class	: IP65, IP68 ve Exproof models



S1015
3/2 Way

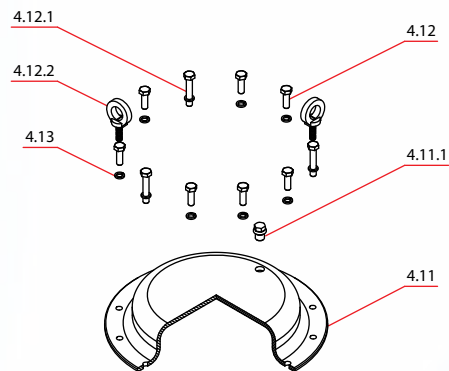
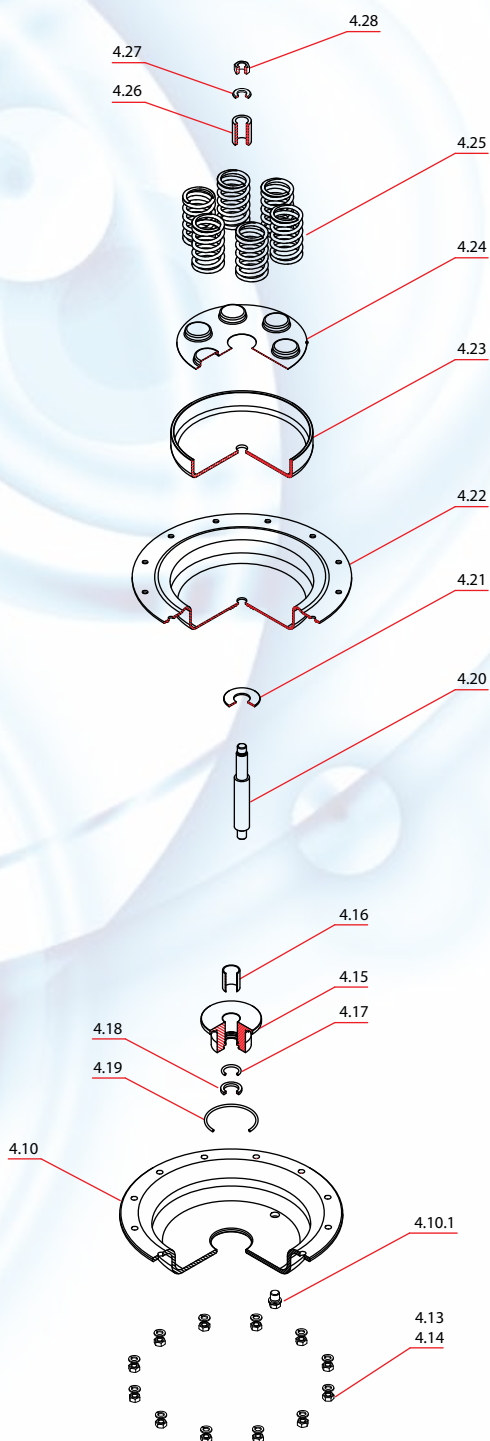
Actuator Technical Data



Technical Details

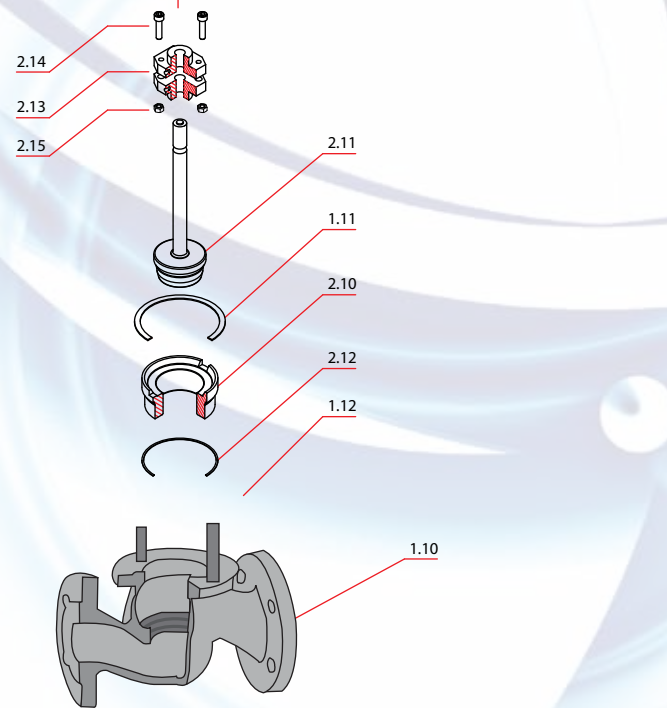
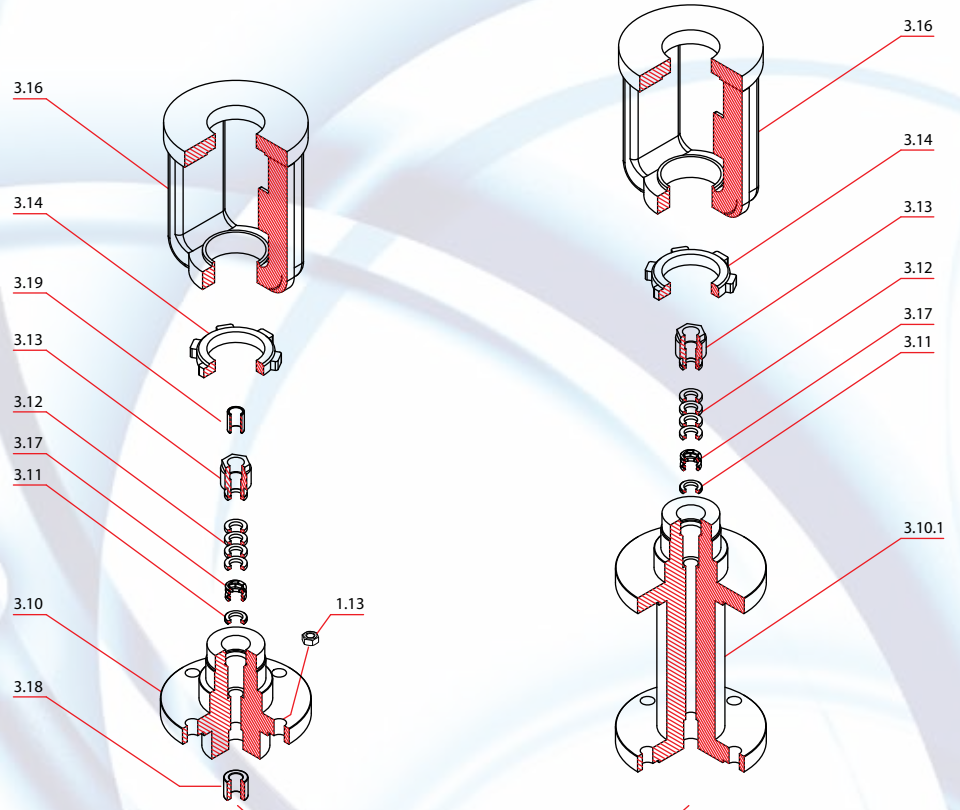
Actuator Size (cm ²)	Stroke (mm)	Spring Range (bar)	Normally Closed		Normally Open	
			Minimum Air Supply (bar)	Spring Close Maximum Force (N)	Maximum Air Supply (bar)	Spring Open Maximum Force (N)
200	20 - 40	0.2 - 1.0	1.2	400	6	10000
		0.5 - 1.9	2.1	1000	6	8200
		1.0 - 2.0	2.2	2000	6	8000
		1.2 - 2.4	2.6	2400	6	7200
		1.5 - 3.0	3.2	3000	6	6000
		2.4 - 4.8	5.0	4800	6	2400
300	20 - 40	0.2 - 1.0	1.2	600	6	15000
		0.5 - 1.9	2.1	1500	6	12300
		1.0 - 2.0	2.2	3000	6	12000
		1.2 - 2.4	2.6	3600	6	10800
		1.5 - 3.0	3.2	4500	6	9000
		1.5 - 3.8	4.0	4500	6	6600
450	20 - 40	0.2 - 1.0	1.2	900	6	22500
		0.5 - 1.9	2.1	2250	6	18450
		1.0 - 2.0	2.2	4500	6	18000
		1.2 - 2.4	2.6	5400	6	16200
		1.5 - 3.0	3.2	6750	6	13500
		1.5 - 3.8	4.0	6750	6	9900
700	40 - 60	0.2 - 1.0	1.2	1400	6	35000
		0.5 - 1.9	2.1	3500	6	28700
		1.0 - 2.0	2.2	7000	6	28000
		1.2 - 2.4	2.6	8400	6	25200
		1.5 - 3.0	3.2	10500	6	21000
		1.5 - 3.8	4.0	10500	6	15400
		2.4 - 4.8	5.0	16800	6	8400

Actuator Part List



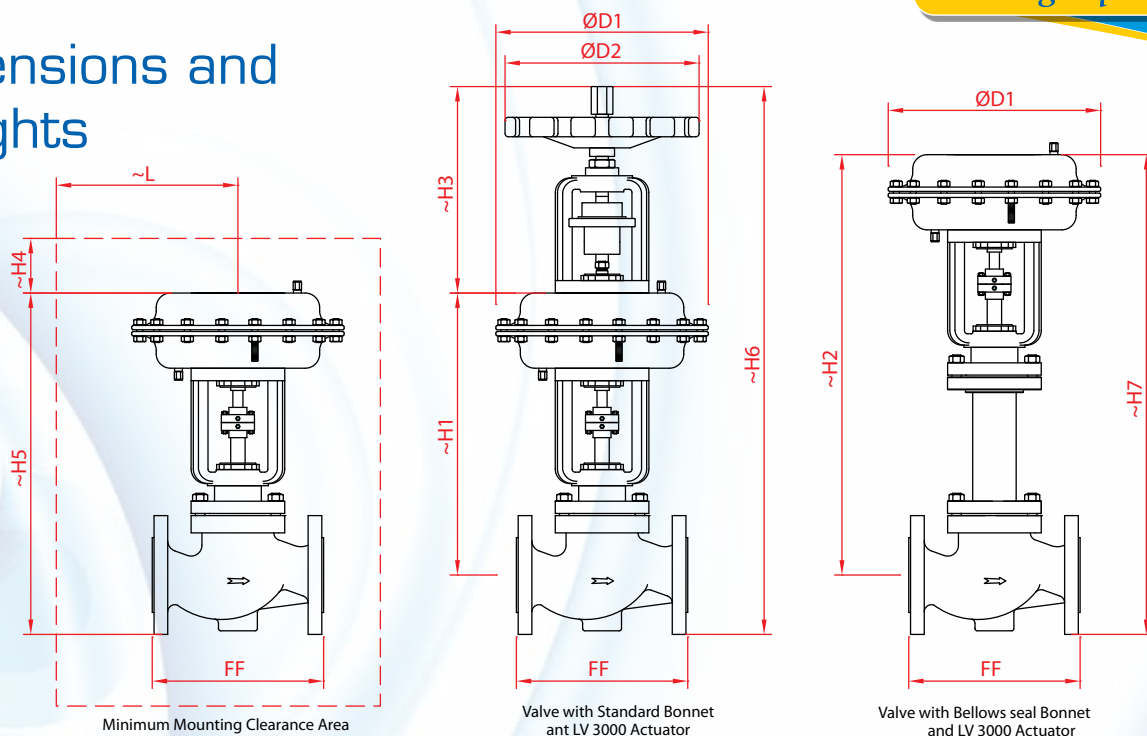
Part Description	Drawing No.	Part No.	Material	
			ANSI	DIN
Diaphragm Casing 1	4.10	LV 3000-09-410-300	1040	1.1186
Diaphragm Casing 2	4.11	LV 3000-09-411-300	1040	1.1186
Fitting	4.10.1	LV 3000-17-4101-300	Brass	
Vent Fitting	4.11.1	LV 3000-17-4111-300	Brass	
Bolt	4.12	LV 3000-02-412-M8.30	SS-316	1.4581
Entended Bolt	4.12.1	LV 3000-02-4121-M8.45	SS-316	1.4581
Eye Bolt (DN65 and older)	4.12.2	LV 3000-02-4122-M8.45	1040	1.1186
Washer	4.13	LV 3000-02-413-M8	SS-316	1.4581
Nut	4.14	LV 3000-02-414-M8	SS-316	1.4581
Actuator Bonnet	4.15	LV 3000-09-415-080	1040	1.1186
Bearing	4.16	LV 3000-15-416-017	PTFE+Bronze	
O-Ring	4.17	LV 3000-12-417-020	NBR 70	
O-Ring	4.18	LV 3000-12-418-020	NBR 70	
O-Ring	4.19	LV 3000-12-419-065	NBR 70	
Shaft	4.20	LV 3000-02-420-020.020	SS-316	1.4581
Washer	4.21	LV 3000-10-421-080	4140	1.7225
Membrane	4.22	LV 3000-11-422-300	NBR 60	
Bowl	4.23	LV 30000-09-423-300	1040	1.1186
Spring Disc	4.24	LV 3000-09-424-300	1040	1.1186
Springs	4.25	LV 3000-03-425-30.12.24.2	SS-302	1.7102
Union	4.26	LV 3000-09-426-030	1040	1.1186
Washer	4.27	LV 3000-09-427-M16	1040	1.1186
Nut	4.28	LV 3000-09-428-M16.15	1040	1.1186

Valve Part List



Part Description	Drawing No.	Part No.	Materials	
			AISI	DIN
Body	1.10	LV 3000-08-110-025	SS-316, GS-C25 GG-25, GGG-50	1.4581, 1.0619 0.6025, 0.7043
Bonnet washer	1.11	LV 3000-11-111-032	PTFE+Graphite	
Stud bolt	1.12	LV 3000-02-112-08.30	SS-316	1.4581
Nuts	1.13	LV 3000-02-113-08	SS-316	1.4581
Seat	2.10	LV 3000-01-210-040.042	SS-316Ti	1.4571
Plug	2.11	LV 3000-01-211-040.042.E	SS-316Ti	1.4571
Seat washer	2.12	LV 3000-11-212-067	PTFE+Graphite	
Connector	2.13	LV 3000-10-213-012	4140	1.7225
Stud bolt	2.14	LV 3000-02-214-M6	SS-316	1.4581
Nuts	2.15	LV 3000-02-215-M6	SS-316	1.4581
Standart Bonnet	3.10	LV 3000-02-310-133	SS-316, GS-C25 GG-25, GGG-50	1.4581, 1.0619 0.6025, 0.7043
Bellows seal bonnet	3.10.1	LV 3000-02-3101-133	SS316, GS-C25	1.4581, 1.0619
Washer	3.11	LV 3000-02-311-020	SS316	1.4581
Packing	3.12	LV 3000-11-312-020	PTFE+Graphite	
Bonnet packing retainer	3.13	LV 3000-02-313-020	SS-316	1.4581
Lock nut	3.14	LV 3000-08-314-051	GGG-50	0.7043
Yoke	3.16	LV 3000-08-316-053	GGG-50	0.7043
Spring	3.17	LV 3000-14-317-30.14	SS-302	1.7102
Guide	3.18	LV 3000-01-318-012	SS-316Ti	1.4571
Guide	3.19	LV 3000-11-319-012	PTFE+Graphite	

Dimensions and Weights



Descriptions	Ø D1	Ø D2	Nominal Size DN																	
			Stroke = 20 mm					40 mm					60 mm							
			15	20	25	32	40	50	65	80	100	150								
FF Face to Face Dimensions			130	150	160	180	200	230	290	310	350	480								
~ H1 for Standard bonnet (mm)	LV 3000 / 200	Ø255	Ø200	328	333	337	352	357	364											
	LV 3000 / 300	Ø295	Ø200	340	345	349	364	369	376											
	LV 3000 / 450	Ø350	Ø250							483	491	508	606							
	LV 3000 / 700	Ø421	Ø350							541	549	566	664							
~ Weight in (kg) for Standard Bonnet, without accessories	LV 3000 / 200			14	14	16	19	21	25											
	LV 3000 / 300			18	18	20	24	25	29											
	LV 3000 / 450									58	66	80	124							
	LV 3000 / 700									73	78	94	139							
~ H2 (mm) for Bellows seal Bonnet (mm)	LV 3000 / 200	Ø255	Ø200	513	518	522	537	542	549											
	LV 3000 / 300	Ø295	Ø200	525	530	534	549	554	561											
	LV 3000 / 450	Ø350	Ø250							668	676	693	791							
	LV 3000 / 700	Ø421	Ø350							726	734	751	849							
~ Weight in (kg) for Bellows seal Bonnet, without accessories	LV 3000 / 200			17	18	19	24	25	30											
	LV 3000 / 300			21	22	23	28	30	34											
	LV 3000 / 450									67	75	87	128							
	LV 3000 / 700									82	87	94	143							
~ H3 for Hand Wheel (mm)	LV 3000 / 200	Ø255	Ø200	370	370	370	370	370	370											
	LV 3000 / 300	Ø295	Ø200	370	370	370	370	370	370											
	LV 3000 / 450	Ø350	Ø250							370	370	370	450							
	LV 3000 / 700	Ø421	Ø350							370	370	370	450							
~ Weight in (kg) with Hand Wheel, without accessories	LV 3000 / 200			24	24	26	29	31	35											
	LV 3000 / 300			30	30	32	36	37	41											
	LV 3000 / 450									70	78	92	138							
	LV 3000 / 700									85	90	106	154							
~ L (mm) for minimum mounting clearance area (mm)	LV 3000 / 200	Ø255	Ø200	230	230	230	230	230	230											
	LV 3000 / 300	Ø295	Ø200	285	285	285	285	285	285											
~ H4 Removal space for actuator 175 mm	LV 3000 / 450	Ø350	Ø250							355	355	355	385							
	LV 3000 / 700	Ø421	Ø350							400	400	400	480							
~ H5 with Standard Bonnet overall dimension (mm)	LV 3000 / 200	Ø255	Ø200	375	385	395	422	432	447											
	LV 3000 / 300	Ø295	Ø200	387	397	407	434	444	459											
	LV 3000 / 450	Ø350	Ø250							576	591	626	756							
	LV 3000 / 700	Ø421	Ø350							634	649	684	814							
~ H6 with Hand Wheel overall dimension (mm)	LV 3000 / 200	Ø255	Ø200	745	755	765	792	802	817											
	LV 3000 / 300	Ø295	Ø200	757	767	777	804	814	829											
	LV 3000 / 450	Ø350	Ø250							946	961	996	1148							
	LV 3000 / 700	Ø421	Ø350							1004	1019	1054	1206							
~ H7 with Bellows seal Bonnet overall dimension (mm)	LV 3000 / 200	Ø255	Ø200	560	570	580	607	617	632											
	LV 3000 / 300	Ø295	Ø200	572	582	592	619	629	644											
	LV 3000 / 450	Ø350	Ø250							761	776	811	941							
	LV 3000 / 700	Ø421	Ø350							819	834	869	999							

Flanges Drilled and Dimensioned acc. to

DIN 2501, Form C, D, R, N



all over the world

YENİKÖY 212 217 6585 / LİMİNG 11.2014

AFRICA

ALGERIA
EGYPT
ETHIOPIA
IVORY COAST
KENYA
MOROCCO
NIGERIA
SOUTH AFRICA
TUNISIA

AMERICA

ARGENTINA
DOMINICAN REPUBLIC
CANADA
CHILE
COLOMBIA
PERU
UNITED STATES OF AMERICA

ASIA

AZERBAIJAN
INDIA
INDONESIA
IRAQ
IRAN
ISRAEL
KAZAKHSTAN
KUWAIT
LEBANON
MALAYSIA
OMAN
PAKISTAN
SAUDI ARABIA
SINGAPORE
SOUTH KOREA
SRI LANKA
SYRIA
THAILAND
TURKISH REP. OF N. CYPRUS
UNITED ARAB EMIRATES
UZBEKISTAN
VIETNAM

EUROPE

ALBANIA
AUSTRIA
BELGIUM
BULGARIA
CROATIA
CZECH REPUBLIC
DENMARK
ESTONIA
FRANCE
GERMANY
GORGIA
GREECE
IRELAND
ITALY
KOSOVO
LATVIA
LITHUANIA
LUXEMBOURG
MALTA
MOLDOVA
NETHERLANDS
NORWAY
ROMANIA
RUSSIA
SERBIA
SPAIN
SWEDEN
UKRAINE
UNITED KINGDOM

AUSTRALIA

AUSTRALIA
NEW ZEALAND



SMS Sanayi Malzemeleri Üretim ve Satış A.Ş.

H. Office: Y. Dudullu, Bostancı Yolu Kuru Sk. No:16, 34776 Ümraniye - İstanbul - Turkey Phone : +90 216 364 34 05 (pbx) Fax : +90 216 364 37 57

Plant: İMES O.S.B., 5. Cad. No:6 Çerkeşli OSB Mahallesi - Dilovası Kocaeli - Turkey Phone : +90 262 290 20 20 Fax : +90 262 290 20 21

export@sms-tork.com.tr www.smstork.com